

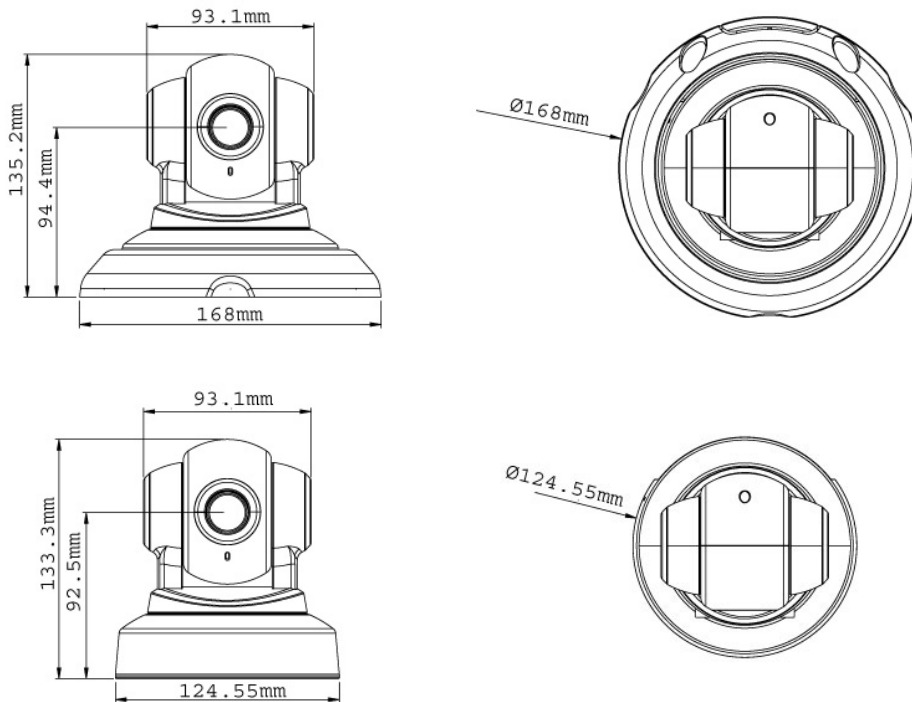
## GV-PT110D 1.3MP H.264 IR Pan Tilt IP Camera



- 1.3 megapixel progressive scan CMOS
- Dual streams from H.264, MJPEG and MPEG4
- Up to 15 fps at 1280 x 1024
- Pan and tilt (Pan: -175° ~ 175°; Tilt: -45° ~ 90°)
- Built-in / external microphone
- 2-way audio
- One sensor input and alarm output
- Micro SD/SDHC Card Slot
- Input-triggered Preset points
- Motion detection
- Privacy mask
- IP address filtering
- DC 12 V / AC 24 V / PoE
- Removable IR-cut filter for Day/Night function
- Supports iPhone, iPad, Android & 3GPP
- 28 languages on Web interface

\* No SD/SDHC card slot & local storage function for Argentina.

The GV-PT110D camera is a ceiling-mount device that features panning and tilting functions. The GV-PT110D is designed to monitor a wide area and to focus on a selected point on live view when suspicious events occur.



### SPECIFICATIONS

Camera		
Image Sensor	1/3" progressive scan CMOS	
Picture Elements	1280 (H) x 1024 (V)	
Minimum Illumination	Color	1.5 Lux (1/60 sec) 0.2 Lux (1/5 sec) (F/1.5, AGC-On, slow shutter-Off)
	B/W	0 Lux (1/60 sec) (F/1.5, AGC-On, slow shutter-Off)
	IR ON	
Shutter Speed	Automatic (Balanced, Speed Priority, Quality Priority), Manual (1/5 ~ 1/4000 sec)	
White Balance	Automatic, Manual (2800K ~ 8500K)	

Lens			
Megapixel		Yes	
Day/Night		Yes (with removable IR-cut filter)	
Iris		Fixed	
Maximum Aperture		F/1.5	
Lens Mounting		M12, Pitch 0.5 mm	
Image Format		1/3"	
Megapixel		Yes	
Operation	Focus	Manual (w/lock)	
	Zoom	None	
	Iris	Fixed	
IR LED Quantity		14 IR LEDs	
IR Distance		15 m / 50 ft. (Max.)	
Operation			
Video Compression		H.264, MPEG4, MJPEG	
Video Stream		Dual Streams from H.264, MPEG4 and MJPEG	
Video Resolution	Main Stream	4:3	1280 x 960, 640 x 480, 320x 240
		5:4	1280 x 1024, 640 x 512, 320 x 256
	Sub Stream	4:3	640 x 480, 320x 240
		5:4	640 x 512, 320 x 256
Frame Rate		30 fps at 640 x 480, 15 fps at 1280 x 1024 * The frame rate and the performance may vary depending on the number of connections and data bitrates (different scenes).	
Image Setting		Exposure Control, White Balance, Image Orientation, Backlight Compensation, Gamma	
Audio Compression		G.711	
Two-way Audio		Yes	
Sensor Input		1 Input (Dry Contact)	
Alarm Output		1 Output	
Network			
Interface		10/100 Ethernet	
Protocol		HTTP, TCP, UDP, SMTP, FTP, DHCP, NTP, UPnP, DynDNS, 3GPP/ISMA, RTSP, PSIA	
Mechanical			
Lens Mounting		M12, Pitch 0.5 mm	
Temperature Detector		Yes	
Connectors	Power	2-pin terminal block, PoE	
	Ethernet	RJ-45	
	Audio	1 In (Using a built-in or an externally connected microphone) 1 Out (Stereo phone jack, 3.5 mm / 0.14 in)	
	Local Storage	Micro SD / SDHC memory card slot (for Class 6 card or above)	
Digital I/O		3-pin terminal block	
LED Indicator		2 LEDs: Power and Status	
Camera Angle Adjustment	Pan	-175° ~ 175°	
	Tilt	-45° ~ 90°	
General			
Environment Temperature		-10 °C ~ 50 °C / 14 °F ~ 122 °F	
Humidity		10% to 90% (no condensation)	
Power Source		12V DC / 24V AC / PoE	
Max. Power Consumption		12 W	
Regulatory		CE, FCC, C-Tick, RoHS compliant	
Dimensions	With mounting base and cover	168 x 135.2 mm / 6.61 x 5.32 in	
	Without mounting base and cover	124.55 x 133.3 mm / 4.9 x 5.25 in	
Weight		440 g / 0.97 lb	
Regulatory		CE, FCC, C-Tick, RoHS compliant	
Network			
Interface		10/100 Ethernet	
Protocol		HTTP, TCP, UDP, SMTP, FTP, DHCP, NTP, UPnP, DynDNS, 3GPP/ISMA, RTSP, PSIA	

<b>Mechanical</b>		
Lens Mounting		M12, Pitch 0.5 mm
Temperature Detector		Yes
Connectors	Power	2-pin terminal block, PoE
	Ethernet	RJ-45
	Audio	1 In (Using a built-in or an externally connected microphone) 1 Out (Stereo phone jack, 3.5 mm / 0.14 in)
	Local Storage	Micro SD / SDHC memory card slot
	Digital I/O	3-pin terminal block
LED Indicator		2 LEDs: Power and Status
Camera Angle Adjustment	Pan	-175° ~ 175°
	Tilt	-45° ~ 90°
<b>General</b>		
Environment Temperature		-10 °C ~ 50 °C / 14 °F ~ 122 °F
Humidity		10% to 90% (no condensation)
Power Source		12V DC / 24V AC / PoE
Power Consumption		15 W (max. 1.25A at 12V DC)
Regulatory		CE, FCC, C-Tick, RoHS compliant
Dimensions	With mounting base and cover	168 x 135.2 mm / 6.61 x 5.32 in
	Without mounting base and cover	124.55 x 133.3 mm / 4.9 x 5.25 in
Weight		440 g / 0.97 lb
Regulatory		CE, FCC, C-Tick, RoHS compliant
<b>Power over Ethernet</b>		
PoE Standard		IEEE 802.3af Power over Ethernet / PSE
PoE Power Supply Type		End-Span
PoE Power Output		Per Port 48V DC, 350mA. Max. 15.4 watts
<b>Web Interface</b>		
Installation Management		Web-based configuration
Maintenance		Firmware upgrade through Web Browser or Utility
Access from Web Browser		Camera live view, video recording, change video quality, bandwidth control, image snapshot, digital I/O control, audio, Wide Angle Lens Dewarping, Picture in Picture, Picture and Picture, Privacy Mask
Language		Bulgarian / Czech / Danish / Dutch / English / French / German / Greek / Hebrew / Hindi / Hungarian / Indonesian / Italian / Japanese / Lithuanian / Norwegian / Persian / Polish / Portuguese / Romanian / Russian / Serbian / Simplified Chinese / Slovakian / Slovenian / Spanish / Thai / Traditional Chinese / Turkish * Bulgarian, Dutch, Greek, Hindi, Indonesian, Lithuanian, Norwegian, Persian, Romanian, Slovakian, Slovenian, Thai and Turkish are only supported in V1.08 or later.
<b>Applications</b>		
Network Storage		GV-NVR, GV-System, GV-Backup Center, GV-Recording Server * GV-Backup Center and GV-Recording Server are supported in V1.08 or later
Mobile Phone support		GV-AView for Android Smartphone, GV-Eye HD for iPad, GV-Eye for iPhone and iPod Touch, GV-GView for Windows PDA, GV-MSView for Windows Smartphone, GV-SSView for Symbian Smartphone, 3G-enabled phone.
Live Viewing		IE , GV-MultiView
CMS Server support		GV-Control Center, GV-Center V2, GV-VSM

**Note:** Specifications are subject to change without notice.