

## GV-CBW220 2MP H.264 Wireless Cube IP Camera



- 1/2.5" Progressive Scan CMOS
  - Stream 1 from H.264 and MJPEG;  
Stream 2 from H.264, MPEG4 and MJPEG
  - Up to 30 fps at 1920 x 1080
  - Wireless connectivity: WiFi 802.11/b/g/n
  - Two-way Audio
  - Memory Card Slot
  - G.711 and AAC audio codec
  - Motion detection
  - Tampering alarm
  - Privacy mask
  - IP address filtering
  - Megapixel lens
  - Supports iPhone, iPad, Android & 3GPP
  - 31 languages on Web interface
- \* No Memory Card Slot & local storage function for Argentina.

### Active Tampering Alarm

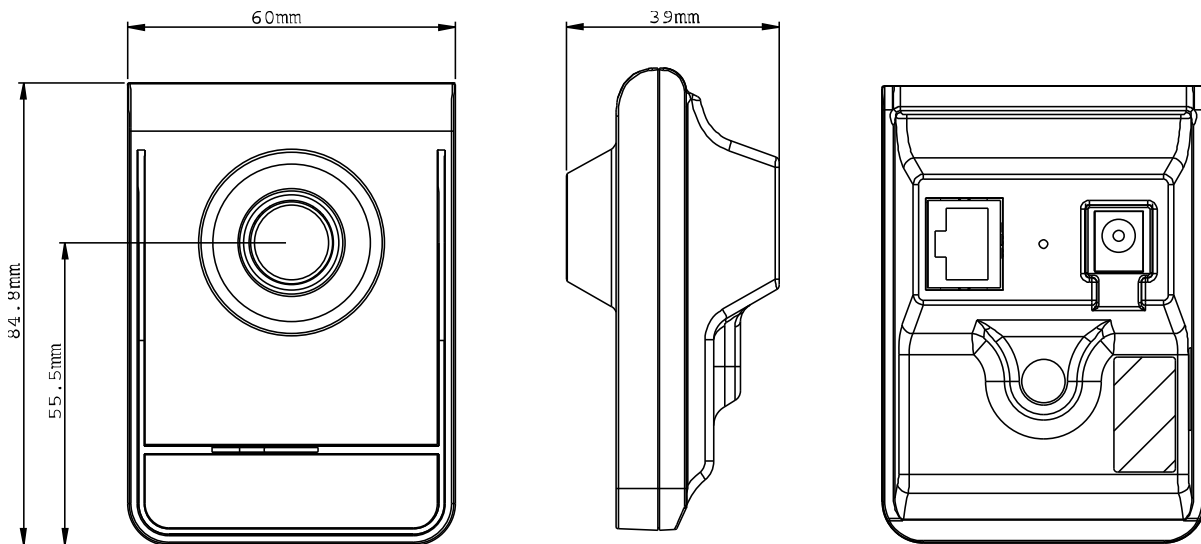
Tampered



Focus Change



Camera Shift



### SPECIFICATIONS

Camera		
Image Sensor		1/2.5" progressive scan CMOS
Picture Elements		1920 (H) x 1080 (V)
Minimum Illumination	Color	1 Lux (1/30 sec), 0.5 Lux (1/5 sec)
Shutter Speed		Automatic, Manual (1/5 ~ 1/8000 sec)
White Balance		Automatic, Manual (2800K ~ 8500K)
Gain Control		Automatic
S/N Ratio		45 dB
Lens		
Megapixel		Yes
Day/Night		Yes (electronic )
Lens Type		Fixed

Focal Length	3.35 mm"	
Max Aperture	F/2.4	
Mount	M12 mm	
Image Format	1/3"	
Operation	Focus	No
	Zoom	No
	Iris	Fixed
<b>Operation</b>		
Video Compression	H.264, MPEG4, MJPEG	
Video Stream	Stream 1 from H.264 and MJPEG; Stream 2 from H.264, MPEG4 and MJPEG	
Frame Rate	30 fps at 1920 x 1080 * The frame rate and the performance may vary depending on the number of connections and data bitrates (different scenes).	
Image Setting	Brightness, Contrast, Saturation, Sharpness, Gamma, White Balance, Flicker-less, Image Orientation, Shutter Speed, Backlight Compensation	
Audio Compression	G.711, AAC (16 kHz / 16 bit) * AAC is only supported by GV-System V8.5 or later	
Two-way Audio	Yes	
<b>Video Resolution</b>		
Main Stream	4:3	1600 x 1200, 1280 x 960, 640 x 480, 320 x 240
	16:9	1920 x 1080, 1280 x 720, 640 x 360, 448 x 252
	5:4	1280 x 1024, 640 x 512, 320 x 256
Sub Stream	4:3	640 x 480, 320 x 240
	16:9	640 x 360, 448 x 252
	5:4	640 x 512, 320 x 256
<b>Network</b>		
Interface	10/100 Ethernet	
Ethernet Protocol	HTTP, HTTPS, TCP, UDP, SMTP, FTP, DHCP, NTP, UPnP, DynDNS, 3GPP/ISMA, RTSP, PSIA, SNMP, QoS (DSCP)	
Wireless LAN	IEEE 802.11 b/g/n	
Antenna Type	Built-in	
Security	WEP, WPA-PSK(TKIP), WPA-PSK(AES), WPA2-PSK(TKIP), WPA2-PSK(AES)	
<b>Mechanical</b>		
Lens Mounting	M12 mm	
Connectors	Power	DC Jack
	Ethernet	Ethernet (10/100 Base-T), RJ-45
	Audio	Built-in speaker & microphone
	Local Storage	Micro SD/SDHC/SDXC memory card slot (for Class 6 card or above)
LED Indicator	2 LEDs: Status, LAN	
<b>General</b>		
Operating Temperature	0 °C ~ 40 °C / 32 °F ~ 104 °F	
Humidity	10% to 90% (no condensation)	
Power Source	5V DC	
Max. Power Consumption	3.2 W	
Weight	70 g / 0.15 lb	
Operating Temperature	0 °C ~ 40 °C / 32 °F ~ 104 °F	
Regulatory	CE, FCC, C-Tick, RoHS compliant	
<b>Web Interface</b>		
Installation Management	Web-based configuration	
Maintenance	Firmware upgrade through Web Browser or Utility	
Access from Web Browser	Camera live view, video recording, change video quality, bandwidth control, image snapshot, audio, Wide Angle Lens Dewarping, Picture in Picture, Picture and Picture, Privacy Mask, Tampering Alarm, Text Overlay	
Language	Arabic / Bulgarian / Czech / Danish / Dutch / English / Finnish / French / German / Greek / Hebrew / Hungarian / Indonesian / Italian / Japanese / Lithuanian / Norwegian / Persian / Polish / Portuguese / Romanian / Russian / Serbian / Simplified Chinese / Slovakian / Slovenian / Spanish / Swedish / Thai / Traditional Chinese / Turkish	

Applications	
Network Storage	GV-NVR, GV-System, GV-Backup Center, GV-Recording Server
Smart Device Access	- GV-Eye for Android smartphone, tablet, iPhone, and iPod Touch - GV-Eye HD for iPad
Live Viewing	IE , GV-MultiView
CMS Server support	GV-Control Center, GV-Center V2, GV-VSM

**Note:**

1. The signal range and data throughput may vary depending on the network conditions and environmental factors.
2. Specifications are subject to change without notice.